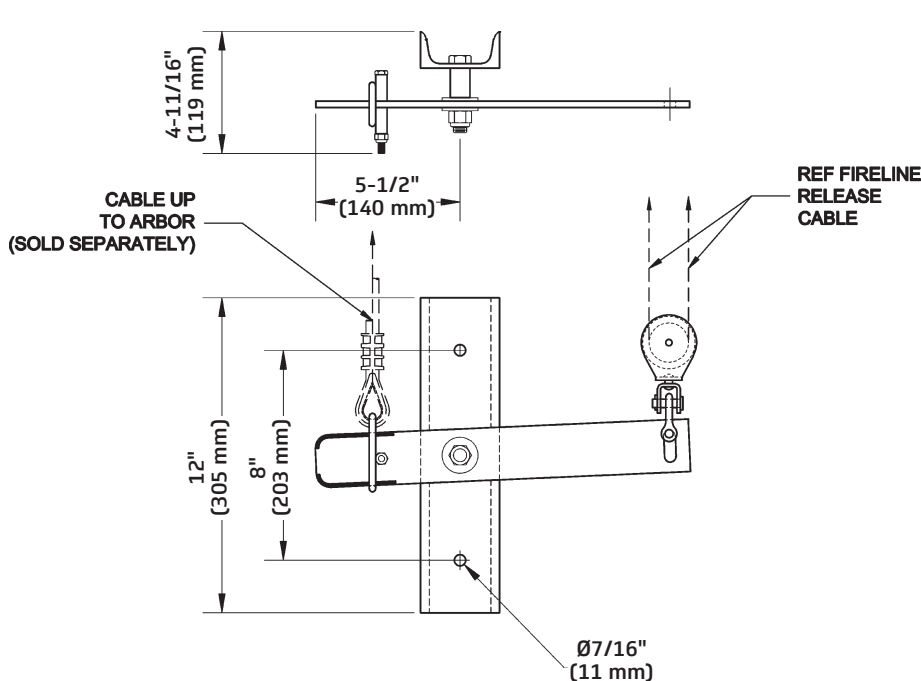


Fire Curtain Arbor Release

- Releases the arbor, allowing a manually operated straight lift fire curtain to close
- Dependable operation — easier to use and reset than traditional free end ball systems
- Simple installation for new or existing stages
- Our unique design ensures dependable operation; the ring and line on the left are attached to the bottom of the arbor, keeping the curtain open; The lever is held in place by the fire line (at right). Once the fire line is released the lever pivots, releasing the arbor and allowing the curtain to close
- Includes pivoting release lever, swivel eye awning pulley with shackle, and ring
- Three-year warranty against defects in materials or workmanship is provided on all J.R. Clancy equipment, additional warranty information is available at jrclancy.com

Dimensions



Fire Curtain Arbor Release
016-AR

Order Information

Number	Description	Weight
016-AR	Fire Curtain Arbor Release	10 lb (4.5 kg)

